

4:4:4 8 bit



HDR 10



Latest 4K standard



Dolby TrueHD



Double ESD tolerance

# 2/4/8 Port True 4K HDMI Splitter

PSP-102U / PSP104 / PSP-108

IAdea advanced splitter offers hassle-free in-field firmware upgrades using USB, automatic resolution organizer which ensures the customers see the best resolutions when connected to multiple HDMI sources, the latest 4K technology in a robust housing for performance and reliability that soothes the soul and double-strength ESD tolerance for twice-the-comfort in protection.

4K2K @ 60 3D HDR 7.1 CH	4K2K @ 30 3D HDR 7.1 CH	1080p @ 60 3D HDR 7.1 CH
4K2K @ 60 3D HDR 2 CH	4K2K @ 30 3D HDR 2 CH	Duplicate Output 1 settings

## Quick Switch Maximizes Everyday Efficiency

Having pre-set EDID DIP and rotary switches means you only need your fingertips to do all the heavy lifting such as specifying the outputting resolutions to each connected display. Now, you have more time to focus on managing your business!

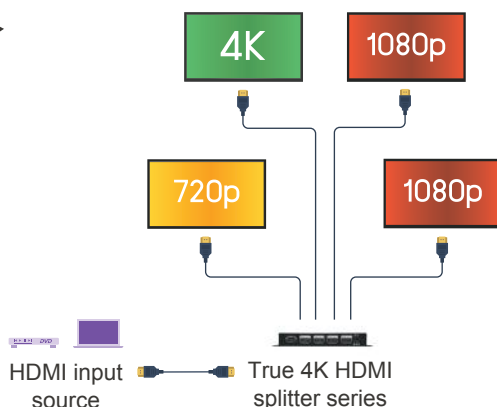


## Compact Form for Convenient Installations

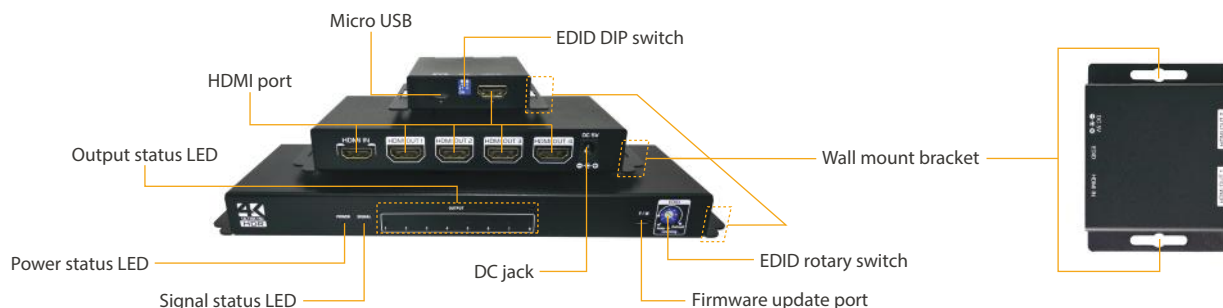
The slim design paired with built-in wall mount bracket ensures the PSP series can be operational in any kind of tight spaces such as hiding within display shelves.

## Auto-Downgrade Makes Every Display Personal

What a headache it is when you have to manually adjust the output resolution to each display when you have a facility full of them. Never again! The splitter's built-in smart source-to-display detection automatically sets the output for each display according to the highest resolution available.



# Product Photos



# Technical Specification

Model Name	PSP-102U	PSP-104	PSP-108
HDMI compliance	HDMI 2.0a		
HDCP compliance	HDCP 2.2 / 1.4		
Input	HDMI x 1		
Output	HDMI x 2	HDMI x 4	HDMI x 8
HDMI connector	Type A (19-pin female)		
Video bandwidth	Single-link 600 MHz (18 Gbps)		
Video support	HDR 4K2K @ 60 (4:2:0 10 bits) / 4K2K @ 60 (4:4:4 8 bits)		
Audio support	DTS-HD Master Audio, Dolby TrueHD Dolby Digital, DTS, DVD-Audio, LPCM, SACD, MPCM		
DIP switch	EDID mode selection		
Firmware update	via Micro-USB port	via Mini-USB port	via Micro-USB port
Dimension			
System	82 mm x 62 mm x 18 mm (3.2" x 2.4" x 0.7")	135 mm x 62 mm x 20 mm (5.3" x 2.4" x 0.8")	232 mm x 68 mm x 23 mm (9.1" x 2.7" x 0.9")
Package	198 mm x 137 mm x 74 mm (7.8" x 5.4" x 2.9")	264 mm x 170 mm x 77 mm (10.4" x 6.7" x 3")	325 mm x 196 mm x 92 mm (12.7" x 7.7" x 3.6")
Weight			
System	124 g (0.274 lb)	230 g (0.508 lb)	439 g (0.97 lb)
Package	169 g (0.373 lb)	773 g (1.708 lb)	805 g (1.78 lb)
Housing	Metal enclosure		
Power consumption	2.5 W (max)	4 W (max)	7 W (max)
Operation temperature	0 ~ 40° C (32 ~ 104° F)		
Storage temperature	-20 ~ 60° C (-4 ~ 140° F)		
Humidity	20 ~ 90 % RH (no condensation)		
Accessory	Velcro / Instruction Sheet	Instruction sheet	Instruction sheet

